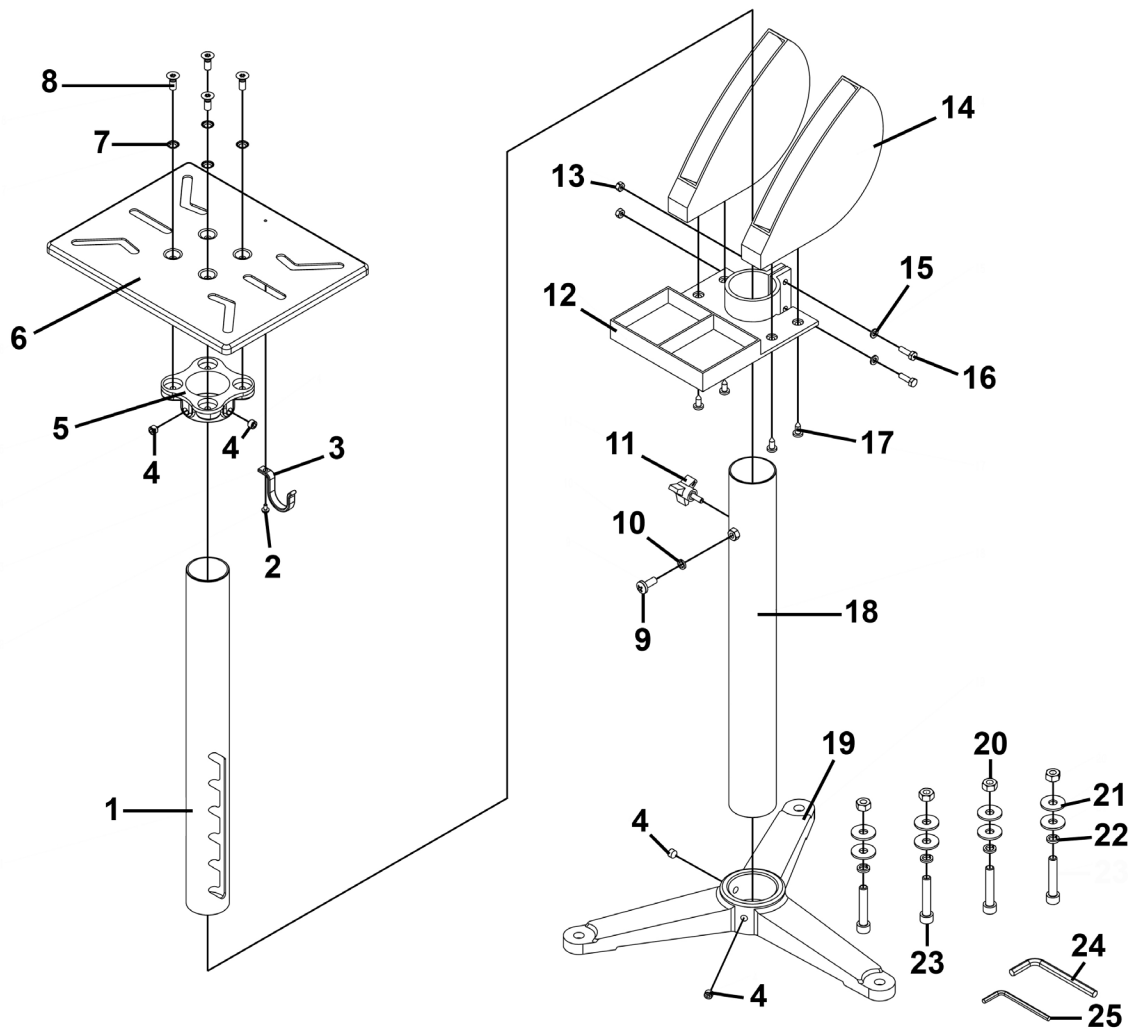


## Parts Information: Bench Grinder Floor Stand Adjustable Model No: BGST1



Item	Part No.	Description	Qty
1	BGST1-01	Movable Bracket Arm	1
2	MSP48.S	Machine Screw Pan Head Phillips M4 X 8mm	1
3	BGST1-03	Storage Hook	1
4	GSM1010.S	Grub Screw M10 X 10	4
5	BGST1-05	Top Tray Holding Bracket	1
6	BGST1-06	Top Tray	1
7	BGST1-07	Retaining Washer	4
8	MSC820.S	Csk Phillips Machine Screw M8 X 20 Zinc	4
9	MSP820.S	Machine Screw Pan Head Phillips M8x20mm (single)	1
10	SWM8.S	Spring Washer M8 Zinc	1
11	BGST1-11	Knob, Adjustable Threaded	1
12	BGST1-12	Accessory Tray	1

Item	Part No.	Description	Qty
13	SN6.S	Steel Nut M6 Zinc	2
14	BGST1-14	Grinding Wheel Storage Compartment	2
15	FWM6.S	Flat Washer M6 Zinc	2
16	SS620.S	Hex Head Set Screw M6 X 20 Zinc	2
17	BGST1-17	Self-Tapping Screw ST6.3 x 16	4
18	BGST1-18	Upright	1
19	BGST1-19	Base	1
20	SN10.S	Steel Nut M10 Zinc	4
21	FWM10.S	Flat Washer M10 Zinc	8
22	SWM10.S	Spring Washer M10 Zinc	4
23	SCB1055.S	Socket Cap Bolt M10 x 55mm	4
24	BGST1-24	Hex Key 8mm	1
25	BGST1-25	Hex Key 5mm	1

**NOTE:** It is our policy to continually improve products and as such we reserve the right to alter data, specifications and component parts without prior notice. There may be alternative versions of this product, please contact us should you require this information.

**IMPORTANT:** No liability is accepted for incorrect use of product. Spare parts must be fitted by a competent person

**WARRANTY:** Guarantee is 12 months from purchase date, proof of which will be required for any claim.